



TAMEO KITS



TMK 426

LOTUS RENAULT E22

2014 Formula 1 Monaco Grand Prix

Romain Grosjean 8th place

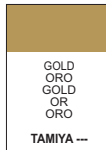
Pastor Maldonado DNS



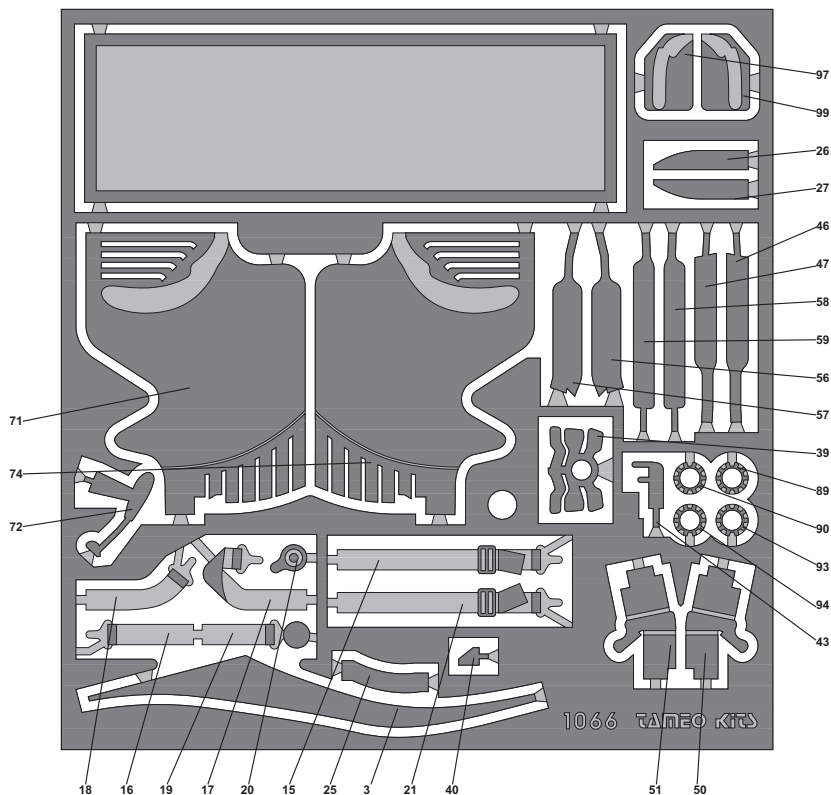
Produced under licence from Group Lotus Plc as master licensee of Lotus F1 Team Limited.
LOTUS and the Lotus Roundel are trademarks of Group Lotus plc.
LOTUS F1 TEAM name and logo are trademarks owned by, or used under licence by, Lotus F1 Team Limited and Group Lotus plc.
F1® is a trademark of Formula One Licensing BV.
Car designs and livery are the property of Lotus F1 Team Ltd and protected by copyright and designs law.



Colour conversion - Conversione colori - Farbenumwandlung Conversion de couleurs - Colores convensionados



Photoetcheds - Fotoincisioni - Fotogeaezt Photogravures - Fotograbado



TAMEO KITS
scale racing car models

TAMEO KITS srl

Via Valle, 111 - P.O. Box 61
17022 BORGIO VEREZZI SV ITALY
Tel. 39 019 - 615.250 Fax. 39 019 - 615.310

website www.tameokits.com
e-mail sales@tameokits.com
e-mail technical@tameokits.com

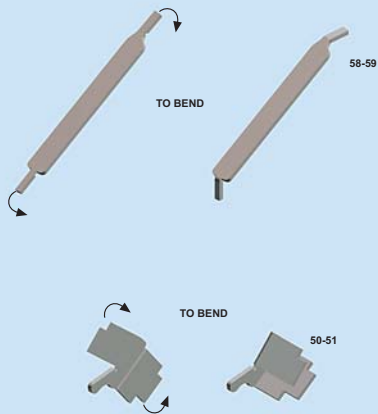
Made in Italy. Modello per collezionisti in scala 1/43. Vietata la vendita ai minori di 14 anni. Nocivo per ingestione. Conservare fuori dalla portata dei bambini. Tameo Kits declina ogni responsabilità per un uso improprio del prodotto.

Made in Italy. Collector 1/43 Scale Models. Not for sale to persons under 14 years of age. Dangerous if swallowed. Keep out of reach of children. Tameo Kits not held responsible for any damage or injury resulting from improper use of the product.

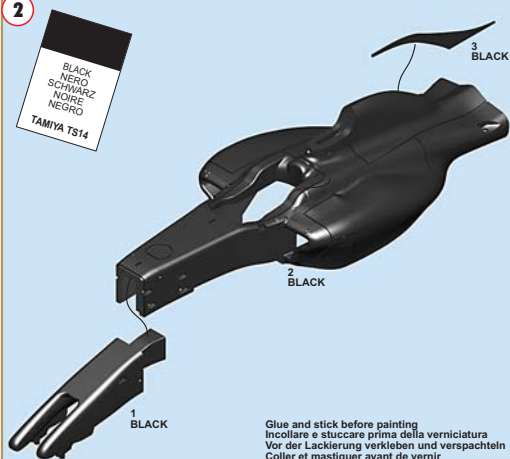
Made in Italy. Modèle pour collectionneurs échelle 1/43. Vente interdite aux enfants de moins de 14 ans. Dangereux si avalé. Conservez hors de la portée des enfants. Tameo Kits decline toute responsabilité dans le cas de dommages dérivants de l'usage non approprié du produit.

Made in Italy. Sammlermodell im Massstab 1/43. Verkauf an Jugendliche unter 14 Jahren verboten. Schädlich bei Verschlucken. Tameo Kits lehnt jede Verantwortung bei unsachgemässer Benutzung des Produktes ab.

Hecho en Italia. Colección de modelos a escala 1/43. Prohibida la venta a menores de 14 años. No comestible. Mantener fuera del alcance de los niños. Tameo Kits no se hace responsable de los daños causados por el uso incorrecto de este producto.

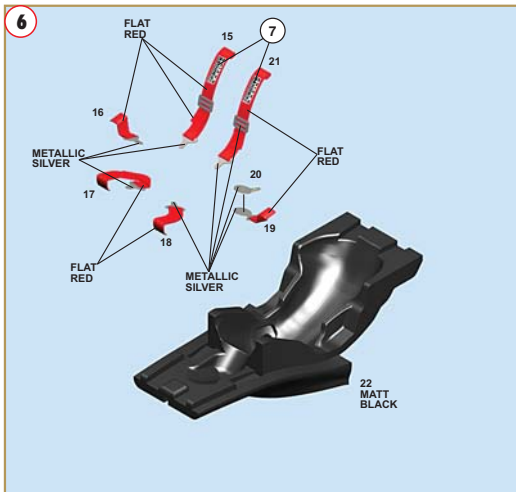
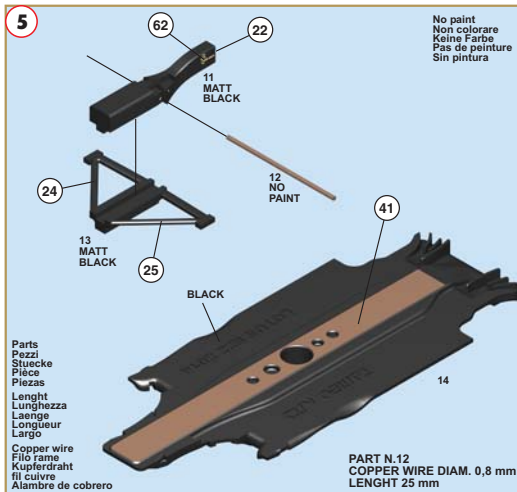
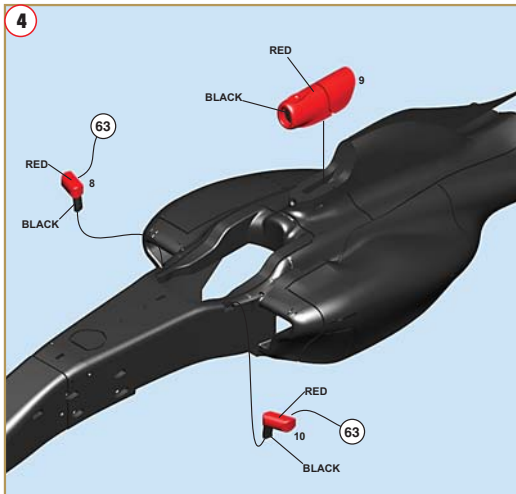
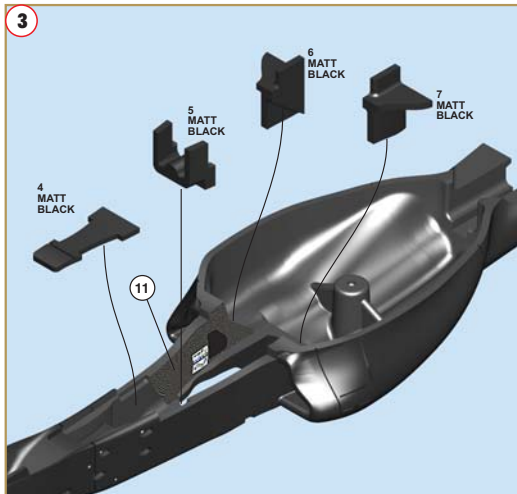
1

TO BEND
PIEGARE
BIEGEN
PLIER
DOBLAR

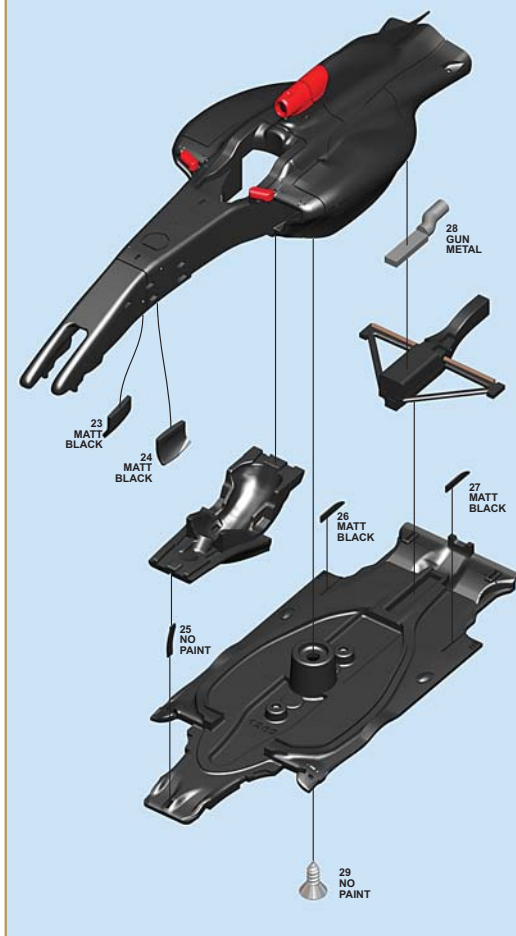
2

Glue and stick before painting
Incollare e stuccare prima della verniciatura
Vor der Lackierung verkleben und verspachteln
Coller et mastiquer avant de vernir
Pegar y estucar antes de pintar

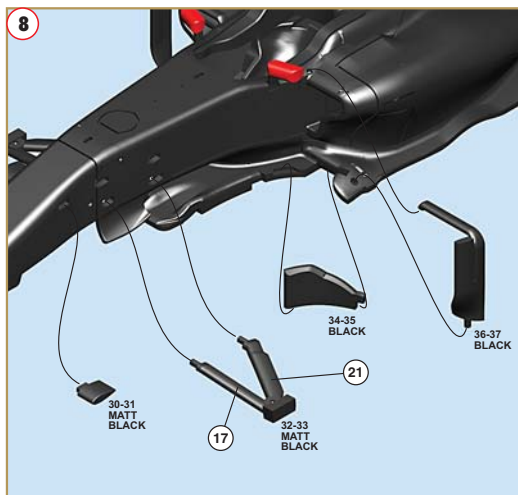




7



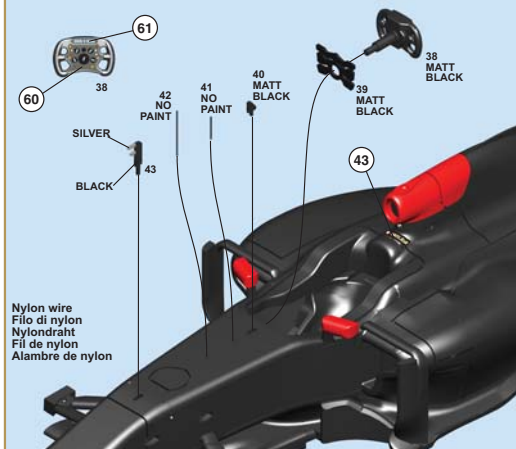
8

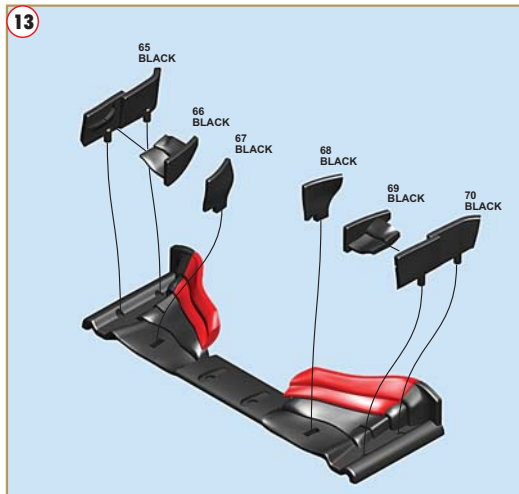
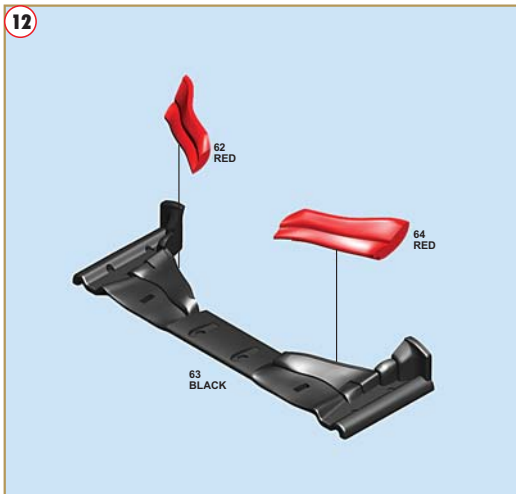
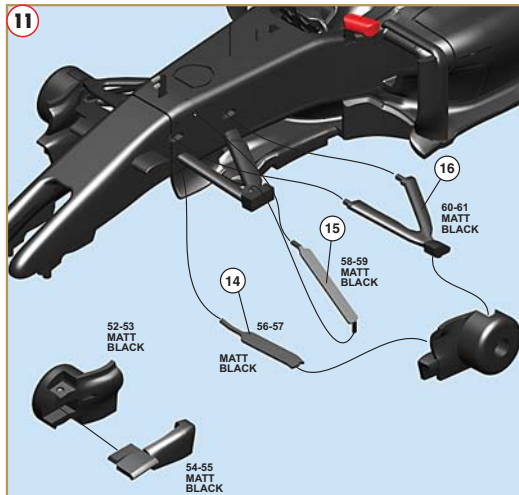
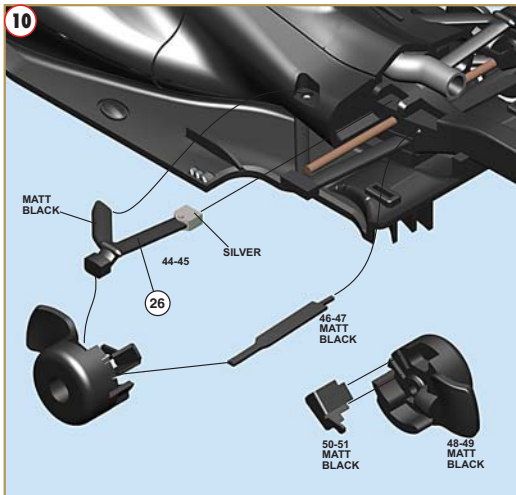


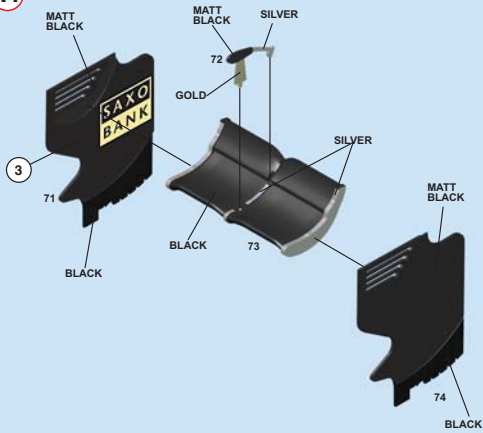
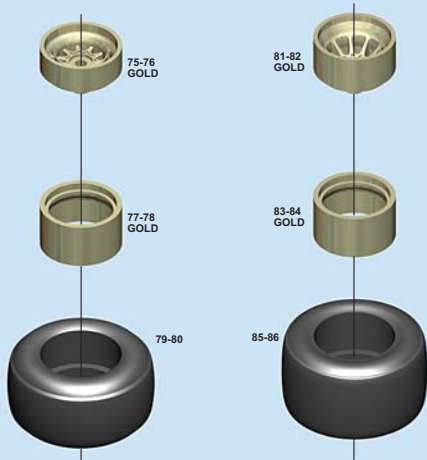
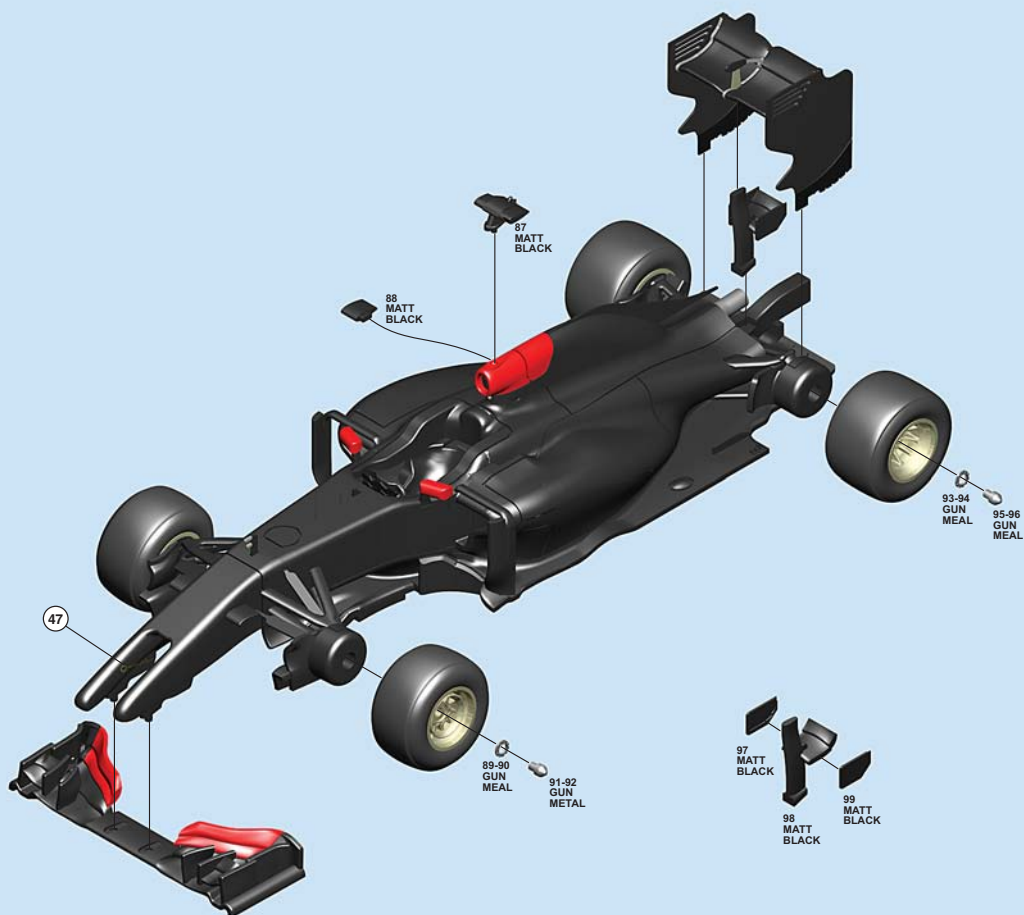
9

PARTS N.41 NYLON WIRE LENGHT 3 mm

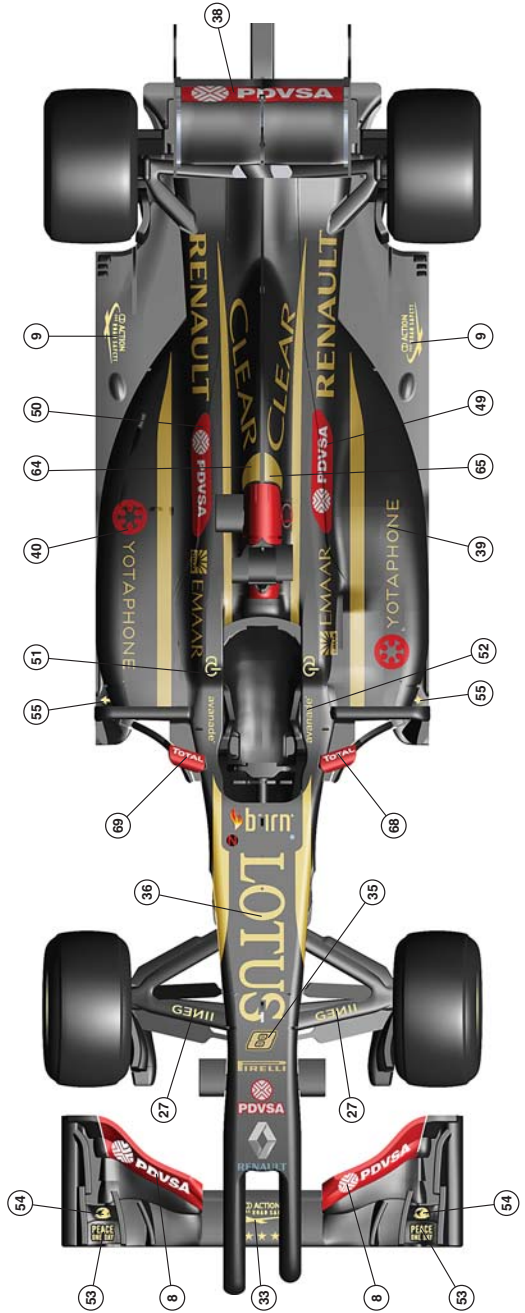
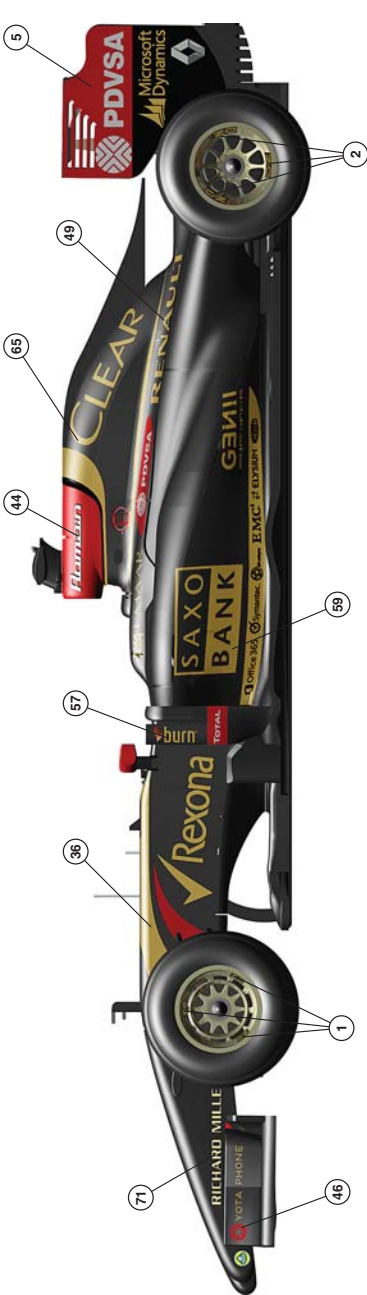
PARTS N.42 NYLON WIRE LENGHT 6 mm





14**15****16**

TMK 426 LOTUS RENAULT E22 G.P. MONACO 2014



13 - P. Maldonado

DNS